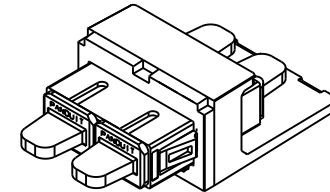
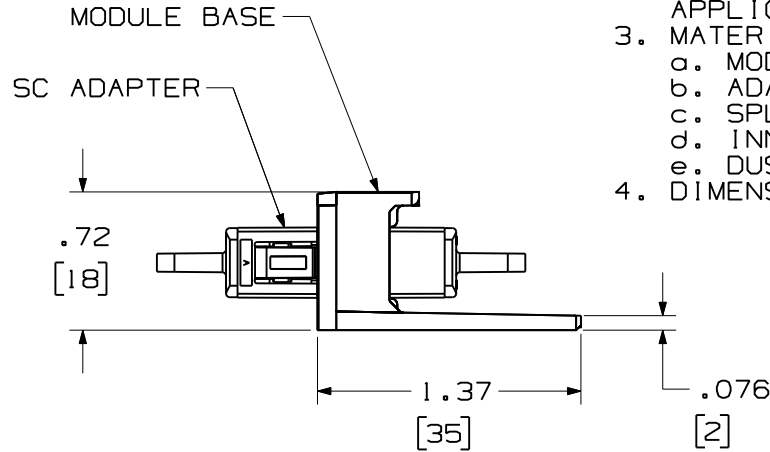
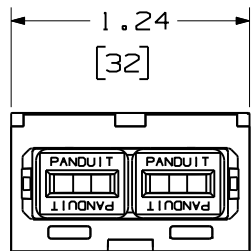
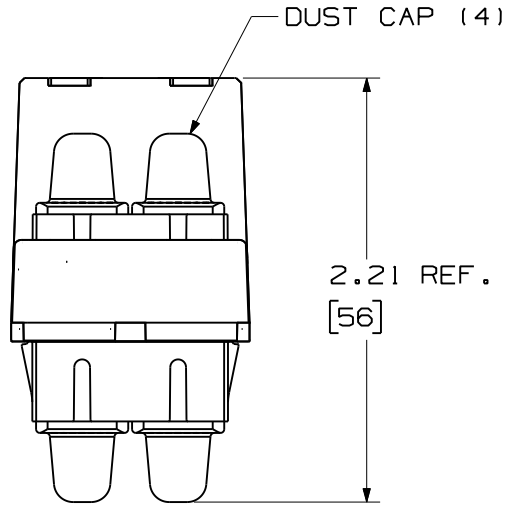


THIS COPY IS PROVIDED ON A RESTRICTED BASIS AND IS NOT TO BE USED IN ANY WAY DETRIMENTAL TO THE INTERESTS OF PANDUIT CORP.




PANDUIT P/N	WEIGHT	SPLIT SLEEVE TYPE
CMDAQSC**	2.2 lbs/100 pcs (980.0 g/100 pcs)	PHOS BRONZE
CMDEISC**		
CMDBUSC**		
CMDAGSCZ**	2.2 lbs/100 pcs (980.0 g/100 pcs)	ZIRCONIA
CMDAQSCZ**		
CMDEISCZ**		
CMDBUSCZ**		

NOTES:

- SEE CURRENT CATALOG FOR PART NUMBER SUFFIXES TO INDICATE COLOR OF MODULE BASE, AND/OR PACKAGE QUANTITIES.
- SEE CATALOG FOR COMPLETE LIST OF PARTS APPLICABLE FOR USE WITH THIS PART.
- MATERIALS:
  - MODULE BASE: PLASTIC
  - ADAPTER HOUSING: PLASTIC
  - SPLIT SLEEVE: ZIRCONIA/PHOS BRONZE
  - INNER LATCH: POLYETHERIMIDE
  - DUST CAP: ELASTOMER
- DIMENSIONS IN PARENTHESES ARE IN METRIC.

REV	DATE	BY	CHK	DESCRIPTION	ECN	R	CUST	SUP	OTH
3	10-30-07	MC		RELEASED TO PRODUCTION	01115-09				

MINI-COM DUPLEX SC MODULE  
CUSTOMER DRAWING



**PANDUIT**™  
CORP.  
TINLEY PARK, ILL 60477

ALL DIMENSIONS ARE GIVEN IN INCHES UNLESS OTHERWISE SPECIFIED.

DIMENSIONAL TOLERANCES ARE:  
(.X) (.XXX)±.010 (0.3)  
(.XX)±.03 (0.8) ANGLES

THIRD ANGLE PROJECTION

DRAWING FILENAME  
MO1115BG\_DC\_01A.prt

SCALE  
NONE

PART NO.  
SEE TABLE

DRAWING NO.  
01115-09

SIZE  
A

DRAWN BY  
MC

DATE  
06-20-01

CHK'D  
PJ1

REVIEW DRAWING NUMBERS